



19, Gr.Floor,Shanta Industrial Premises Co-op Society Ltd, I.BPatel Road, Goregaon (East) Mumbai - 400063

Tel : 022-26858793 • Cell : 09821271748 • Telefax : 022-26852558

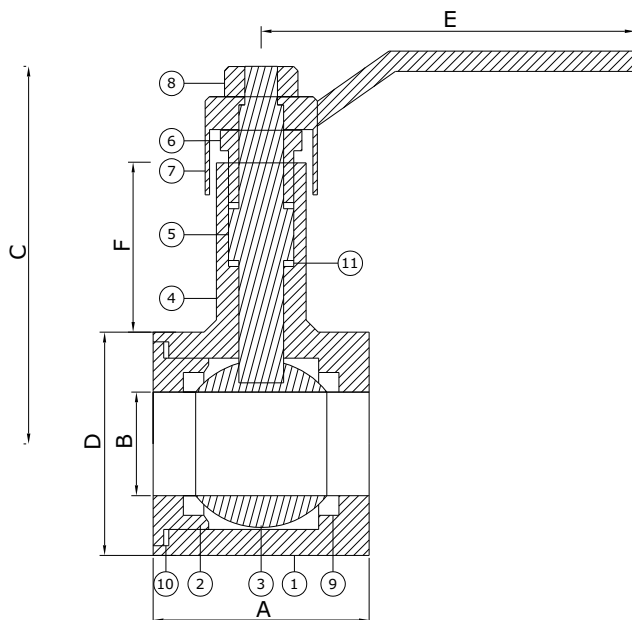
## ONE PIECE WAFER TYPE BALL VALVE

### Salient Features and Specialities:

- ✦ Positive shut off
- ✦ Longer life
- ✦ Quick in action
- ✦ No lubrication
- ✦ Visual on / off indication
- ✦ Compact design
- ✦ Corrosion resistant
- ✦ Low pressure drop
- ✦ Simplicity
- ✦ Available in both regular port & full port patterns



Size range : 1/2" to 4"



Sr. No.	NAME OF PARTS	MATERIAL
1	BODY	A.I.S.I 304 / 316 / WCB
2	ADAPTOR	A.I.S.I 304 / 316 / WCB
3	BALL	A.I.S.I 304 / 316
4	SPINDLE	A.I.S.I 304 / 316
5	BONNET	A.I.S.I. 304 / 316 / WCB
6	GLANDNUT	A.I.S.I 304 / 316 / M.S.
7	HANDLE	A.I.S.I. 304 / M.S.
8	NUT	A.I.S.I. 304 / M.S.
9	SEAL	P.T.F.E.
10	BODY SEAL	P.T.F.E.
11	GLAND SEAL	P.T.F.E.

SIZE	A	B	C	D	E	F
1/2"	32	12	88	39	150	41
3/4"	41	19	90	45	150	41
1"	53	25	92	55	150	41
1 1/2"	63	38	100	71	150	38
2"	92	50	110	88	150	38
2 1/2"	113	63	125	113	225	38
3"	120	76	135	126	275	32
4"	165	100	145	167	350	32